

Product Description



RPZ30 series distribution box body (modular combined electrical appliances) is widely used in lighting and small-capacity power lines in hotels, hotels, families, hospitals, residential quarters, industrial and mining enterprises and civil buildings, etc., as overload, short circuit, leakage protection. It can be used for energy metering, and can also be used for infrequent on-off lighting circuits, daily electrical appliances and small-capacity motors under normal conditions.

The product complies with: GB/T 17466.1-2008 GB/T 17466.24-2008 Standard.

Selection Guide

RPZ30(RDPZ30)	12	M	Base
Products Model	Total Number of Circuits	installation Method	Regular material
Distribution Box	4、6、8、10、12、15、18、20、24、30、36、45	M: Open decoration A : Concealed installation	Base: cold-rolled steel plate Panel: cold-rolled steel plate Cover: transparent flame retardant material

Structural characteristics

- The box and lid of this product are made of high-quality cold-rolled steel plate, and there is a small door on the lid; The electrical components are modular electrical appliances with a width of 18mm (or an integral multiple of 18), which are installed on the clamping rail. They can be easily and quickly disassembled and assembled, and can be combined as required.
- Public neutral terminal block (neutral line) and protective grounding terminal block are set in the box.
- There are knock down holes at the upper, lower and rear ends of the box to meet the needs of wiring in different directions.

Use condition

- Ambient temperature: -15°C ~ $+40^{\circ}\text{C}$, 24h average value shall not exceed $+35^{\circ}\text{C}$
- Altitude: The altitude of the installation site shall not exceed 2000m.
- Atmospheric conditions: the relative humidity of the air at the installation site shall not exceed 50% when the ambient maximum temperature is $+40^{\circ}\text{C}$, and the maximum relative humidity of the month is 90% when the monthly average minimum temperature is $+25^{\circ}\text{C}$.
- Maximum temperature during building: $+60^{\circ}\text{C}$.

Technical Parameter

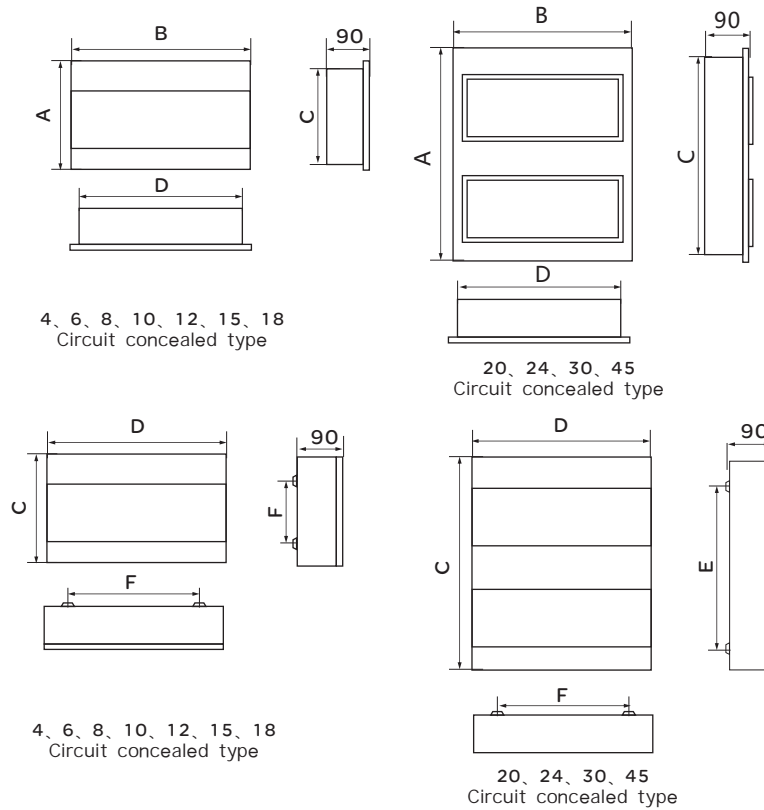
- Rated voltage: 400V
- Rated current: 125A
- Enclosure protection grade: IP30
- Maximum power consumption capacity (w): see Table (1)

RPZ30 Series Distribution Box Body

Table I

Maximum number of Loops	4	6	8	10	12	15	18	20	24	30	36	45
Maximum power consumption capacity (w)	20	20	20	20	20	20	20	20	20	20	20	20

Outline and installation dimensions



Loops Number	Dimensions of concealed panel		Dimension of exposed (concealed) box		Dimension of open mounting hole	
	A	B	C	D	E	F
4	175	155	150	130	90	70
6	225	198	200	173	105	83
8	225	245	200	220	105	130
10	285	289	260	263	150	138
12	285	325	260	300	150	174
15	285	379	260	353	150	227
18	285	433	260	408	150	282
20 Single	285	469	260	444	150	318
20 Double	485	289	460	263	350	138
24 Double	485	325	460	300	350	174
30 Double	485	379	460	353	350	227
36 Double	485	433	460	408	350	282
45 Triple	690	379	665	353	555	227