

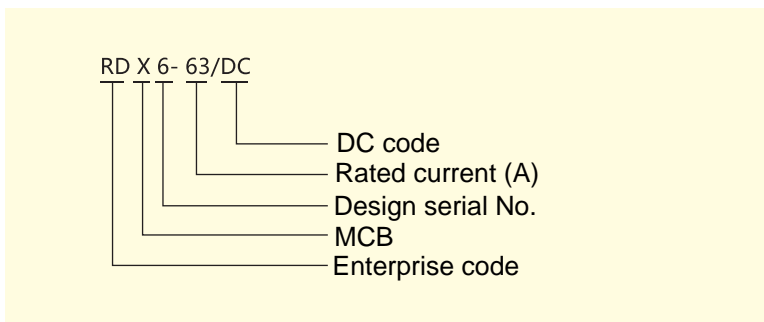
▶ **Usage and its scope of application**

RDX6-63/DC MCB is suitable for the DC distribution circuit of AC 50/60Hz, rated voltage up to 400V, rated current up to 63A, rated short-circuit breaking capacity does not exceed 6000A, as the use of circuit's infrequently connecting, breaking and switching, with the functions of over-load, short-circuit protection. Meanwhile, it has strong auxiliary function modules, such as auxiliary contacts, contacts with alarming indication, shunt releasing, under-voltage releasing, and remote release control etc. modules.

This product confirms to GB10963.1 and IEC60898-1 standards.



▶ **Model and its implication**



▶ **Normal operating condition and installation condition**

3.1 Ambient temperature: -5℃~+40℃, average temperature within 24h does not exceed +35℃;

3.2 Altitude of installation place: does not exceed 2000m;

3.3 Relative humidity does not exceed 50% when it is at highest temperature of +40℃, and it is allowed relatively high relative humidity when it is at relatively low temperature, for example, it reaches 90% when it is at 20℃. It should take measurements when there occurred condensation on the product due to the temperature variation.

3.4 Grade of pollution: 2

3.5 Installation condition: it should be installed at the places of without obvious impact and vibration as well as the medium without danger (explosion).

3.6 Installation mode: adopts TH35-7.5 installation rail

3.7 Installation category: II, III

▶ **Classification**

4.1 Number of pole: 1P, 2P

4.2 Releasing characteristics: C type

4.3 Rated current: 1, 3, 6, 10, 16, 20, 25, 32, 40, 50, 63A

4.4 Rated operating voltage: 220V/440V

▶ **Main technique parameter**

5.1 Over-current releasing characteristics should confirm to table 1 when the circuit breaker is at normal installation condition and basic temperature of 30-35°C.

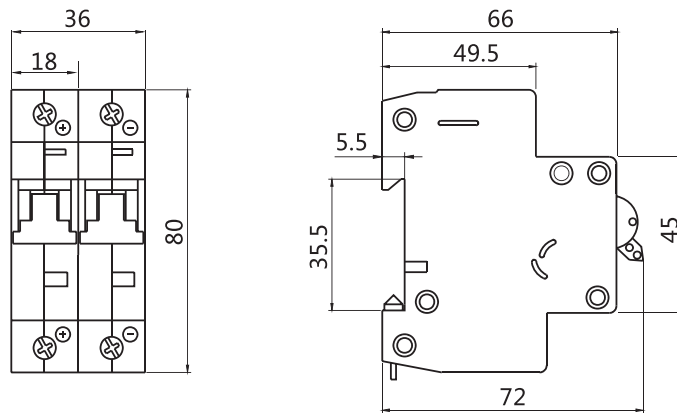
Table 1

No.	Releasing type	Rated current In	Testing current A	Setting time	Predict results	Initial status
1	C	All value	1.13In	t ≤ 1h	Not releasing	Cool status
2	C	All value	1.45In	t < 1h	Releasing	Followed after test No. 1
3	C	≤ 32A	2.55In	1s < t < 60s	Releasing	Cool status
		32A < In ≤ 63A		1s < t < 120s		
4	C	All value	5In(AC), 7In(DC)	t ≤ 0.1s	Not releasing	Cool status
5	C	All value	10In(AC), 15In(DC)	t < 0.1s	Releasing	Cool status

Table 2

Releasing type	Rated current A	Rated short-circuit breaking capacity A	Time constant T
C	1 ≤ In ≤ 63	6000	4ms

▶ **External and installation dimension**



External and installation dimension map of circuit breaker

▶ **Ordering Notice**

It required to be noted:

- 1) Model and specification, for example, RDX6-63/DC MCB
- 2) Number of pole, for example, 2P
- 3) Rated current, for example, 25A
- 4) Releasing type, for example, C type
- 5) Ordering quantity, for example, 1000 pcs

For example, RDX6-63/DC, 2P, C40, 1000pcs for ordering RDX6-63, the rated current is 40A, 2P, C type, and the quantity is 1000 pcs.