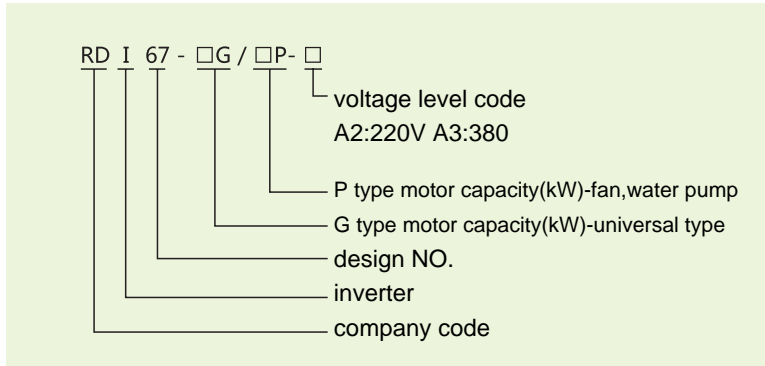


▶ Model No.



▶ Normal working condition and installation condition

2.1 Humidity: Relative humidity shall not exceed 50% at the Max temperature 40°C, and higher humidity could be accepted at lower temperature. The condensation must be taken care which is caused by temperature change. when temperature is above +40°C, location should be well-ventilated. when environment is unstandard, please using telecontrol or electrical cabinet. Inverter working life is affected by install location. Longtime continuous using, the life electrolytic capacitor in inverter would not exceed 5 years, cooling fan life would not exceed 3 years, exchange and maintenance should be done earlier.

▶ Specification

Voltage type: 380V and 220V
 applicative Motor capacity: 0.75kW to 315kW
 specification see Table1

Table1

voltage	model no.	rated capacity(kVA)	rated output current(A)	applicative motor(kW)
380V three-phase	RDI67-0.75G-A3	1.5	2.3	0.75
	RDI67-1.5G-A3	3.7	3.7	1.5
	RDI67-2.2G-A3	4.7	5.0	2.2
	RDI67-4G-A3	6.1	8.5	4.0
	RDI67-5.5G/7.5P-A3	11	13	5.5
	RDI67-7.5G/11P-A3	14	17	7.5
	RDI67-11G/15P-A3	21	25	11
	RDI67-15G/18.5P-A3	26	33	15
	RDI67-18.5G/22P-A3	31	39	18.5
	RDI67-22G/30P-A3	37	45	22
RDI67-30G/37P-A3	50	60	30	

voltage	model no.	rated capacity(kVA)	rated output current(A)	applicative motor(kW)
380V three-phase	RDI67-37G/45P-A3	61	75	37
	RDI67-45G/55P-A3	73	90	45
	RDI67-55G/75P-A3	98	110	55
	RDI67-75G/90P-A3	130	150	75
	RDI67-93G/110P-A3	170	176	90
	RDI67-110G/132P-A3	138	210	110
	RDI67-132G/160P-A3	167	250	132
	RDI67-160G/185P-A3	230	310	160
	RDI67-200G/220P-A3	250	380	200
	RDI67-220G-A3	258	415	220
	RDI67-250G-A3	340	475	245
	RDI67-280G-A3	450	510	280
	RDI67-315G-A3	460	605	315
	220V single-phase	RDI67-0.75G-A2	1.4	4.0
RDI67-1.5G-A2		2.6	7.0	1.2
RDI67-2.2G-A2		3.8	10.0	2.2

▶ Appearance and mounting dimension

Shape size see Fig2, Fig3, Fig4, operation case shape see Fig1

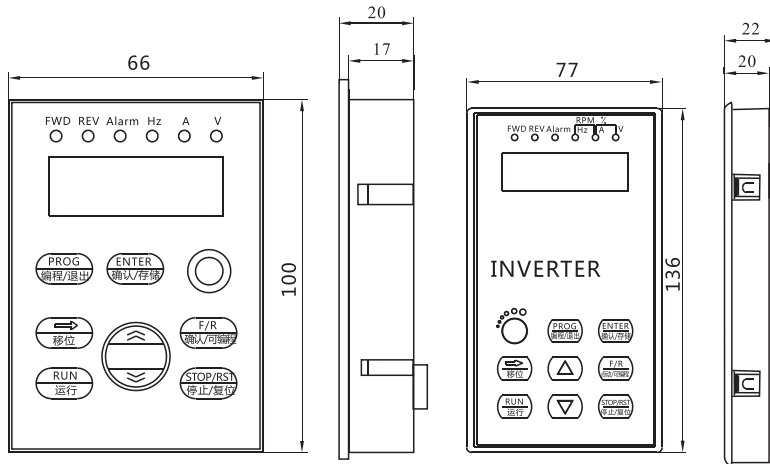


Fig1 operation case

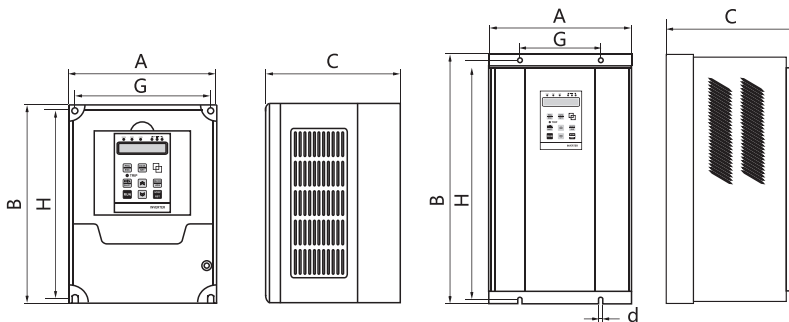


Fig2 applicative motor: 0.75kw-7.5kw

Fig3 applicative motor: 1kW-200kW

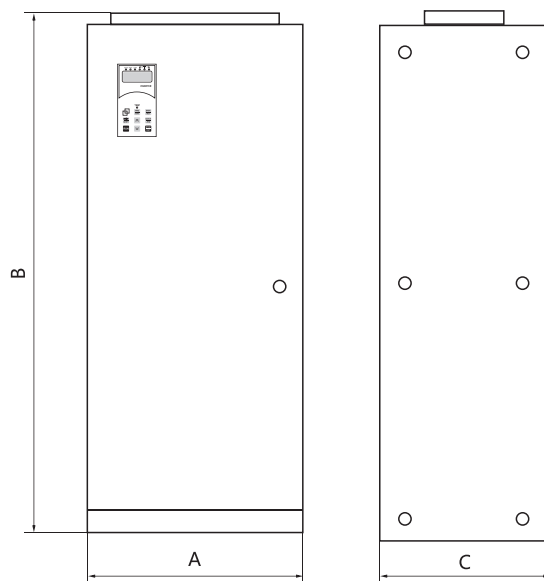


Fig4 applicative motor:200kW-400kW

single phase 220V series

Applicative motor(kW)	Model No.	diagram	dimension:(mm)					
	220 series		A	B	C	G	H	intall bolt
0.75~2.2	0.75kW~2.2kW	Fig2	125	171	165	112	160	M4

three phases380V series

Applicative motor(kW)	Model No.	diagram	dimension:(mm)					
	220 series		A	B	C	G	H	intall bolt
0.75~2.2	0.75kW~2.2kW	Fig2	125	171	165	112	160	M4
4	4kW		150	220	175	138	208	M5
5.5~7.5	5.5kW~7.5kW		217	300	215	205	288	M6
11	11kW	Fig3	230	370	215	140	360	M8
15~22	15kW~22kW		255	440	240	200	420	M10
30~37	30kW~37kW		315	570	260	230	550	
45~55	45kW~55kW		320	580	310	240	555	
75~93	75kW~93kW		430	685	365	260	655	
110~132	110kW~132kW		490	810	360	325	785	
160~200	160kW~200kW	600	900	355	435	870	Landing cabinet installation	
220	200kW~250kW	Fig4	710	1700	410			
250			800	1900	420			
280	280kW~400kW	Fig4						
315								