

## ▶ Application

RDD6 series indicator lamp is applicable for telecommunication and electric circuit of AC50Hz or 60Hz, rated voltage up to 380V, DC voltage up to 380V, as indication signal, warning and others.

This production conforms to Standard of GB14048.5, IEC60497-5-1.

## ▶ Model No.

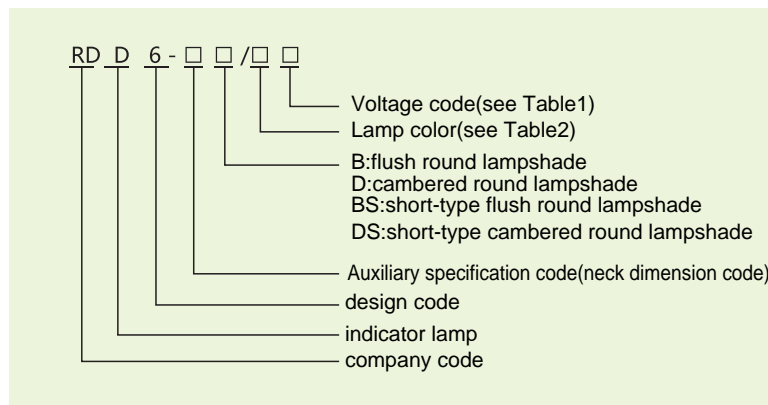


Table1

illuminant	LED									
code	21	22	23	24	25	26	27	28	31	32
power	AC	DC						DC	AC	
voltage V	6	12	24	36	48	110	127	220	220	380

Table2

code	r	g	y	b	w	k
color	red	green	yellow	blue	white	black



## ▶ Normal working condition and installation condition

3.1 Altitude: lower than 2000m.

3.2 Ambient temperature: no higher than +40°C, and no lower than -50°C, and day average temperature shall no more than +35°C.

3.3 Humidity: Relative humidity shall not exceed 50% at the Max temperature 40°C, and higher humidity could be accepted at lower temperature.

The condensation must be taken care which is caused by temperature change.

3.4 Pollution class:III type

3.5 Installation level:III type

3.6 Installation location have no affect of obvious vibration and impact, rain and snow. It also have no corrosive gas and conductive dust.

▶ Main Technical data

Table2

Rated operational current(A)	6	12	24	48	110	220	380
Rated operational voltage(V)	≤20						
Life(h)	≥30000						
brightness(cd/m)	≥60		(22B、22D)		64(22BS、22DS)50		

▶ Appearance and mounting dimensions

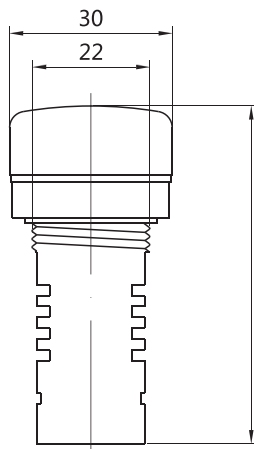


Fig1

▶ Notice

Please note the model no.,specification ,quantity and special requirement in the order.