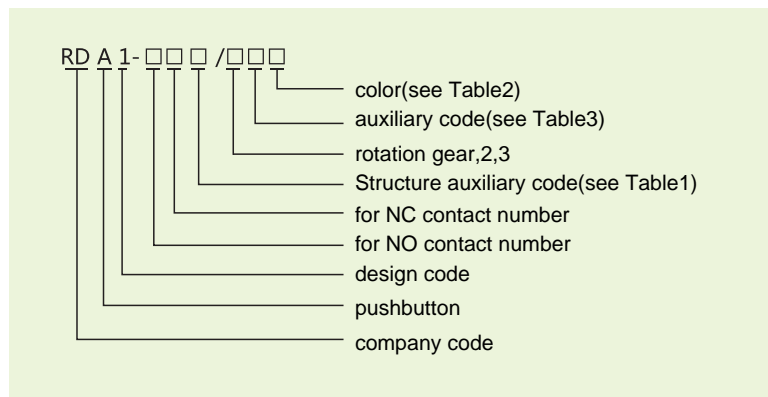


▶ Application

RDA1 series pushbutton switch, rated insulation voltage 690V, is applicable for telecontrolling electromagnet starter, contact, relay and other circuit of AC50Hz or 60Hz, AC voltage 380V and below, DC voltage 220V and below. And the lamp pushbutton also can be used as single indication. This production conforms to the standard of GB14048.5, IEC60947--5-1

▶ Model No.



▶ Normal working condition and installation condition

- 3.1 Altitude: lower than 2000m.
- 3.2 Ambient temperature: no higher than +40°C, and no lower than -5°C, and day average temperature shall no more than +35°C.
- 3.3 Humidity: Relative humidity shall not exceed 50% at the Max temperature 40°C, and higher humidity could be accepted at lower temperature. The condensation must be taken care which is caused by temperature change.
- 3.4 Pollution class: III type
- 3.5 Installation level: II type
- 3.6 Install location should have no corrosion gas and conductive dust.
- 3.7 Pushbutton should be install at round hole of control plate. The round hole can have square keyway which has upward position. The control plate thickness is 1 to 6 mm. If necessary, gasket could be used.

Table1

code	name	code	name
BN	flush button	Y	key switch
GN	projecting button	F	Antifouling button
BND	illuminated flush button	X	short-handle selector button
GND	illuminated projecting button	R	button with mark head
M	mushroom-headed button	CX	long-handle selector button
MD	illuminated mushroom-headed button	XD	short-handle selector button with lamp
TZ	emergency stop button	CXD	long-handle selector button with lamp
H	protective button	A	Two-headed button

Table2

code	r	g	y	b	w	k
color	red	green	yellow	blue	white	black

Table3

code	f	fu	ffu
color	left self-reset	right self-reset	left and right self-reset

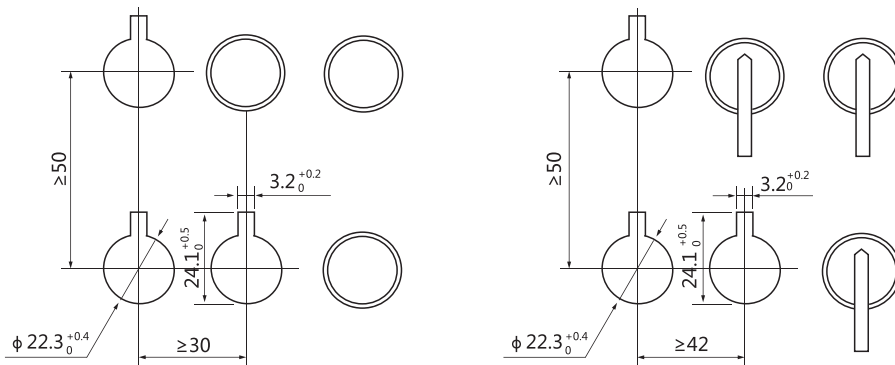
▶ Main Technical data

Table4

Using type	rated current(A)					conventional thermal current(A)	rated insulation voltage(V)	protective class IP	Mechanical life			
	24V	48V	110V	220V	380V				flush button	rotation button	key switch	emergency stop pushbutton
AC-15	—	—	6	3	1.9	10	690	IP65	2 million	0.5 million	50 thousand	50 thousand
DC-13	3	1.5	1.1	0.55	—							

▶ Appearance and mounting dimensions

gap between mounting hole dimension and many pushbutton install,see diagra.



▶ Notice

Please note the model no.,specification and quantity in the order.