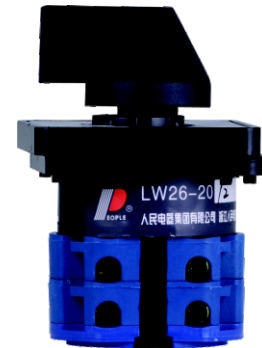


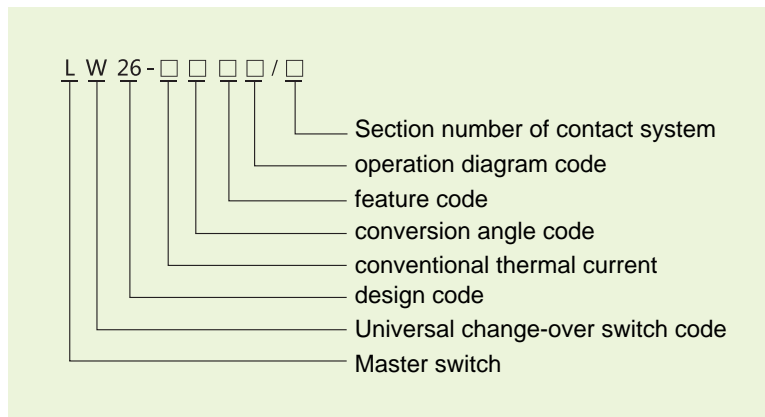
▶ Application

LW26 series universal change-over switch is applicable for circuit of AC50Hz, rated operational voltage 690V and below, DC voltage 240V and below, rated current up to 100A and manual connect and break circuit unfrequently. And it also can control low-capacity AC motor directly and circuit measuring. LW26 series switch has the advantages of compact structure, multi-functions, nice design, good insulation, flexible operation, safe.

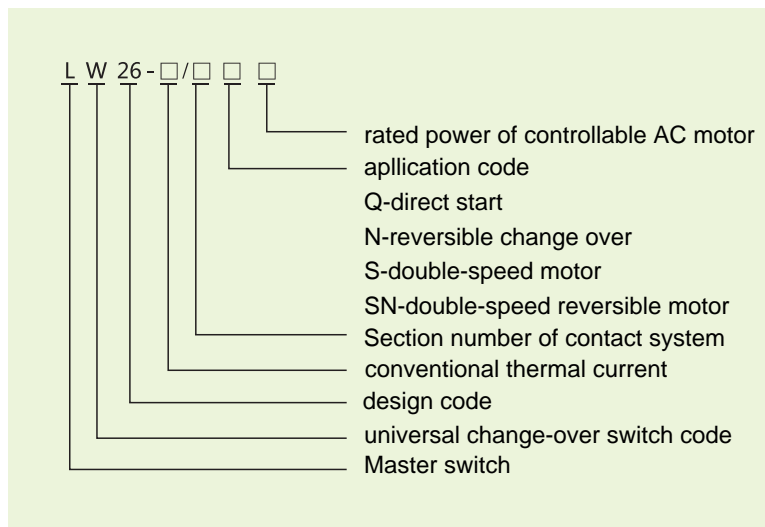


▶ Model No.

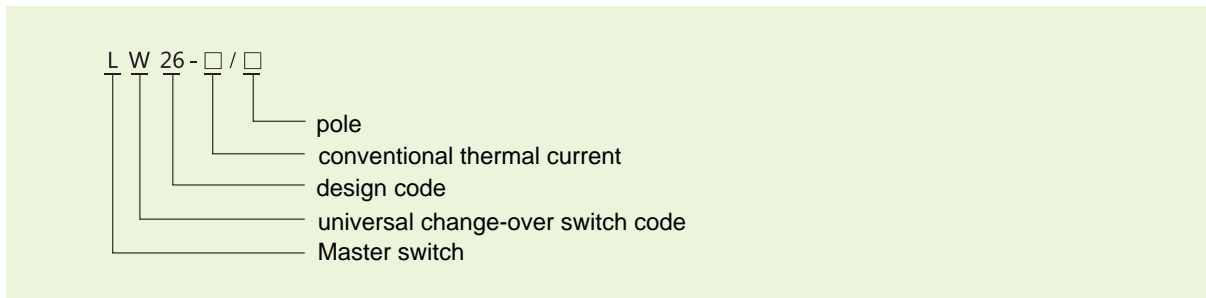
2.1 For Master control



2.2 For motor control



2.3 For motor direct control



▶ Normal working condition and installation condition

3.1 Altitude: lower than 4000m.

3.2 Ambient temperature: no higher than +50°C, and no lower than -25°C, and day average temperature shall no more than +35°C.

3.3 Humidity: Relative humidity shall not exceed 50% at the Max temperature, and higher humidity could be accepted at lower temperature. The condensation must be taken care which is caused by temperature change.

▶ Feature

4.1 Application: for main circuit transfer, motor direct control and master control and measuring.

4.2 Operation mode: fixed position type, Auto-reset type, fixed position and Auto-reset type

4.3 Section number of system: fixed position type has 1 to 18 sections (63A has 8.), Auto-reset type has 1 to 3 section, motor direct control has 1 to 6.

4.4 Conversion angle: 30°, 45°, 60°, 90°

4.5 Panel shape: square, rectangle, round

4.6 Operation mode and operation position

▶ Main Technical data

Table1

Model No.	LW26-20			LW26-25			LW26-32			LW26-63			LW26-125		LW26-160	
Rated insulation voltage U_i (V)	690V															
Conventional thermal current I_{th} (A)	20			25			32			63			125		160	
Rated operation voltage U_e (V)	220	380	500	220	380	500	220	380	500	220	380	500	220	380	220	380
AC-21A AC-22A(A)	20			25			32			63			125			
AC-2 3P(kW)	4	7.5	10	5.5	11	13	7.5	15	18.5	18.5	30	40	30	45	37	55
AC-3 3P/1P(kW)	3/2.2	5.5/3	5.5	4/3	7.5/3.7	7.5	5.5/4	11/5.5	11	11/6	18.5/11	18.5	15/7.5	30/13	22/11	37/18.5
AC-4 3P/1P(kW)	0.55/0.75	1.5/1.5	1.5	1.5/1.1	3/2.2	2.2	2.5/1.5	5.5/3	5.5	5.5/2.4	7.5/4	7.5	6/3	11/5.5	10/4	15/7.5
AC-23 3P/1P(kW)	3.7/2.5	7.5/3.7	7.5	5.5/3	11/5.5	11	7.5/4	15/7.5	15	15/10	30/18.5	45	30/15	45/22	37/22	75/37
AC-15 (A)	5	4		8	5		14	6								
DC-13 (A)	1						1.5			11						
Mechanical life	60×10 ⁴ Operation frequency 120/h															
AC-15 electrical life	20×10 ⁴ Operation frequency 300/h															
DC-13 electrical life	6×10 ⁴ Operation frequency 300/h															

▶ Appearance

6.2 Square panel appearance dimension and mounting dimension.see Table2

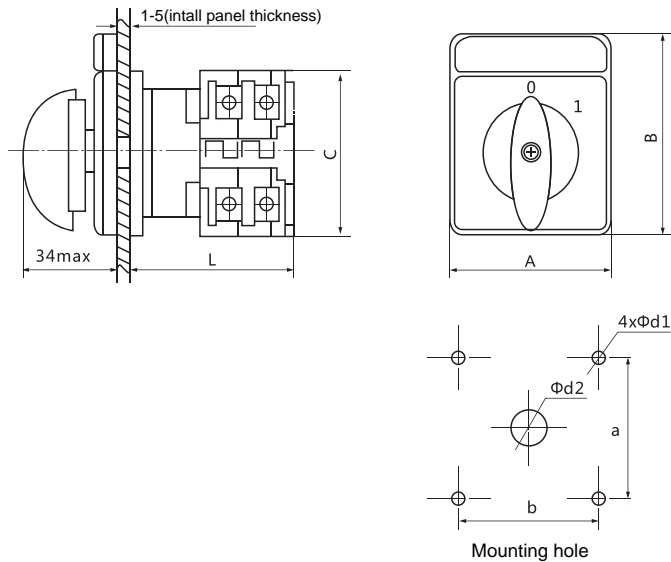
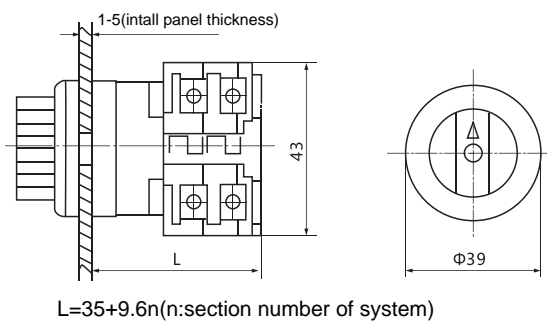


Table2

Specification	Appearance dimension				Install dimension		
	A	B	C	L	d1	d2	axb
20A	50	50	Φ46.5	19x13n	Φ5.5	Φ6.5	36.5x36.5
32A	64.5	64.5	Φ58.5	24x13n	Φ5	Φ8	48x48
63A	64.5	64.5	Φ66.5	25x22n	Φ5	Φ8	48x48
125A	89	89	Φ99	32x27n	Φ5.4	Φ11	68x68
160A	89	89	Φ95.5	32x32.5n	Φ5.4	Φ11	68x68

6.2 Round panel appearance dimension



6.3 LW26-20GS Installation dimension

